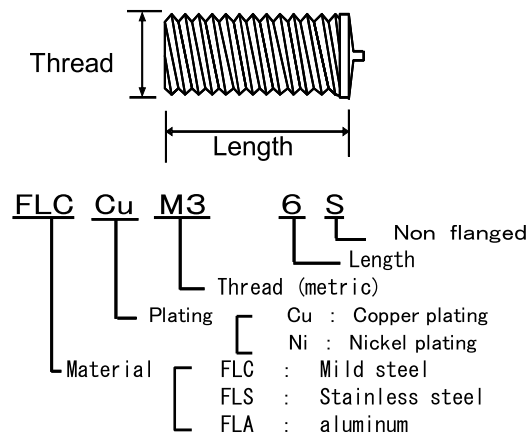
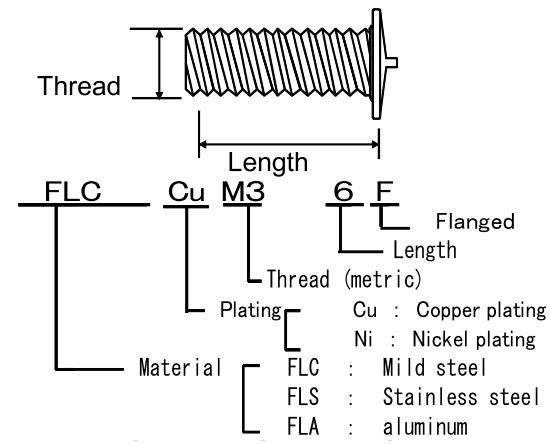


## Non Flanged CD Weld Studs



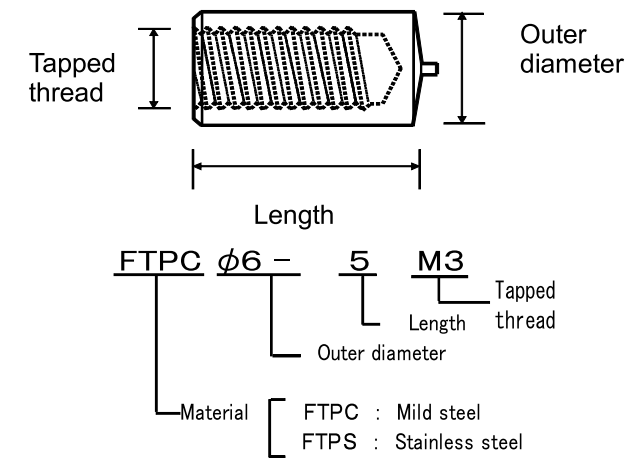
Thread	Length	Material			Quantity /box
		Mild steel	Stainless steel	Aluminum	
		Copper plating			
		FLC	FLS	FLA	
M 3	6	⊙	⊙		1000
	8	⊙	⊙		1000
	10	⊙	⊙		1000
	12	⊙	⊙		1000
	15	⊙	⊙		1000
	20	⊙	⊙		1000
	25	⊙	⊙		1000
M 4	6	⊙	⊙	⊙	1000
	8	⊙	⊙	⊙	1000
	10	⊙	⊙	⊙	1000
	12	⊙	⊙	⊙	1000
	15	⊙	⊙	⊙	1000
	20	⊙	⊙	⊙	1000
	25	⊙	⊙	⊙	1000
M 5	8	⊙	⊙	⊙	1000
	10	⊙	⊙	⊙	1000
	12	⊙	⊙	⊙	1000
	15	⊙	⊙	⊙	1000
	20	⊙	⊙	⊙	1000
	25	⊙	⊙	⊙	500
M 6	10	⊙	⊙	⊙	1000
	12	⊙	⊙	⊙	1000
	15	⊙	⊙	⊙	500
	20	⊙	⊙	⊙	500
	25	⊙	⊙	⊙	500
	30	⊙	⊙	⊙	500
M 8	10	⊙	⊙	⊙	500
	12	⊙	⊙	⊙	500
	15	⊙	⊙	⊙	500
	20	⊙	⊙	⊙	250
	25	⊙	⊙	⊙	250
	30	⊙	⊙	⊙	250
M 10	20	⊙	⊙	⊙	250
	25	⊙	⊙	⊙	200
	30	⊙	⊙	⊙	500

## Flanged CD Weld Studs



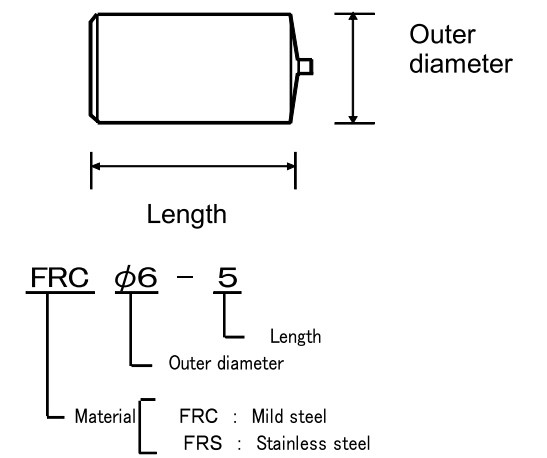
Thread	Length	Material			Quantity /box
		Mild steel	Stainless steel	Aluminum	
		Copper plating			
		FLC Cu	FLS	FLA	
M 3	6	⊙			1000
	8	⊙		⊙	1000
	10	⊙		⊙	1000
	12	⊙		⊙	1000
	15	⊙		⊙	1000
	20	⊙		⊙	1000
	25	⊙		⊙	1000
M 4	6	○	⊙		1000
	7	⊙			1000
	8	⊙			1000
	10	⊙		⊙	1000
	12	○			1000
	15	⊙		⊙	1000
	20	○			1000
M 5	10	⊙		○	1000
	12	⊙			1000
	15	⊙		○	1000
	20	⊙		○	1000
	25	○			1000
	30	○			500
M 6	10	⊙		○	1000
	12	⊙			1000
	15	⊙		○	1000
	20	⊙		○	500
	25	⊙			500
	30	○			500
M 8	10	⊙			500
	15	⊙			500
	20	⊙			250
	25	⊙			250
	30	⊙			250
	M 10	20	⊙		
25		⊙			500
30		⊙			500

## CD Weld Tapped Pads



Outer diameter	Length	Tapped thread	Material		Quantity /box		
			Mild steel	Stainless steel			
			Copper plating				
			FTPC	FTPS			
φ 6	5	M3	⊙		1000		
	6		⊙	○	1000		
	7		⊙	○	1000		
	8		⊙	⊙	1000		
	9		⊙	○	1000		
	10		⊙	⊙	1000		
	11		⊙		1000		
	12		⊙		1000		
	15		⊙		○	500	
	20		⊙		⊙	500	
	φ 8		6	M4	⊙		1000
			8		⊙		1000
10		⊙	⊙		500		
12		⊙	⊙		500		
15		⊙	⊙		500		
20		⊙	○		250		
φ 10	10	M5	⊙	○	500		
	12		⊙		500		
	15		⊙	○	250		
	20	M6	⊙		250		
	10		⊙		500		
	15		⊙		250		
	20		⊙		250		
	25		⊙		200		
	25		⊙		200		

## Non Flanged (No Thread) CD Weld Pins



Outer diameter	Length	Material		Quantity /box
		Mild steel	Stainless steel	
		Copper plating		
		FRC	FRS	
φ 5	10			1000
φ 6	10	⊙		1000
	12	⊙		1000
	15			500
φ 8	20	⊙		500
	10	⊙		500
	15			500
	20			250

### Strength of welded studs

Base materials	Stud materials	Stud thread size	Tensile load N	Shear load N	Torque N·m	
Rolled steel plate for general structure (Thickness =6mm)	Carbon steel wire for cold heading (SWCH)	M3	2,156	1,253	1.4	
		M4	3,822	2,242	3.9	
		M5	5,880	3,450	6.1	
		M6	8,722	5,092	10.2	
		M8	14,700	8,658	22.4	
		M10	22,246	13,325	45.9	
Cold rolled stainless steel plate (SUS304) (Thickness =6mm)	Stainless steel wire for cold heading (SUS304)	M3	3,038	1,899	2.3	
		M4	5,586	3,419	4.7	
		M5	9,310	5,651	9.2	
		M6	13,230	7,909	16.3	
		M8	23,030	14,394	38.8	
		M10	33,320	22,371	86.7	
Aluminum plate(A1100) (Thickness =6mm)	Aluminum wire (A1050)	M3	588	313	0.4	
		M4	1,078	588	0.9	
		M5	1,666	933	1.9	
		M6	2,352	1,324		



⊙:Standard ○:Sub Standard Blank:Special Order  
Other diameters, lengths and materials are available by special order.

All of our products are manufactured for reliability and consistently high quality and are RoHS compliant as standard.

⊙:Standard ○:Sub Standard Blank:Special Order  
Other diameters, lengths and materials are available by special order.

All of our products are manufactured for reliability and consistently high quality and are RoHS compliant as standard.